



## Centra

World class urban transit seat for city bus.

### Features

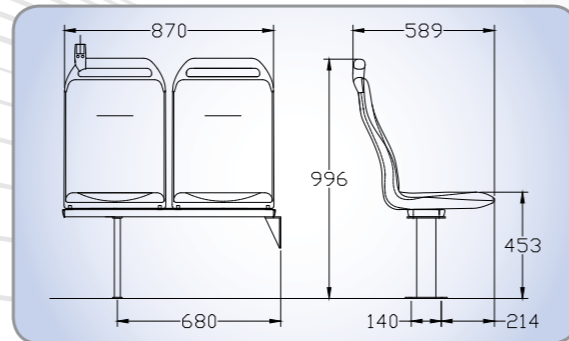
- Engineered and manufactured to meet impact and passenger protection regulations
- The very best of modern, quality manufacturing techniques that combine attractive and functional style with passenger comfort and safety
- Ergonomically designed injection formed shell is durable and impact resistant
- Polyurethane top cap includes one piece handgrip that conforms to protective padding regulations
- Formed trim pads are easily fastened and retained within the seat shell
- Sleek modern seat backs are shaped for minimum seat pitch
- Extensive range of seat covers and designs
- Easily replaced seat covers for low maintenance costs
- Combination of seat places to suit any interior layout



### Options

- Folding cushion to accommodate standees and wheel chair access
- Hip restraint
- Stainless steel pedestal legs
- Cantilever beam mounting system
- Three-quarter seat for 'person and child'
- Stanchion fittings

Centra Specifications	
Minimum seat centres	695mm
Seat width	870mm
Seat weight	19kg
Seat height	996mm



## Super Slim

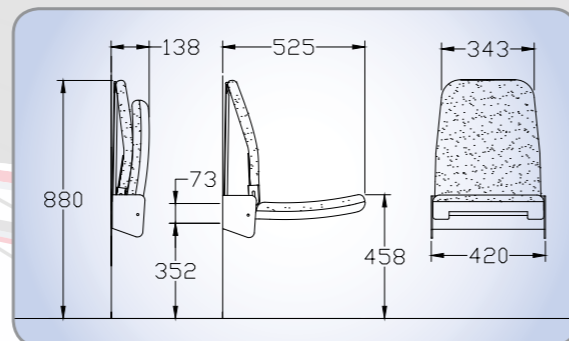
Wall or bulkhead folding seat that folds away to 140mm against the wall.

### Features

- Hidden gas struts hold the seat in either the up or down position
- Moulded plastic base to protect the seat from wheel chairs in the fold-away position
- Excellent appearance and comfort with full depth contoured cushion and back rest
- Seat covers easily replaced - no special tool required
- Matching seat trim



Super Slim Specifications Wall Mounted	
Seat width	420mm
Seat weight	9.5kg



## BUS SEATS

**McConnell**  
A reputation built on safety & comfort

130 Northcorp Blvd Broadmeadows VIC 3047  
Phone: (03) 9350 7277  
Facsimile: (03) 9350 7344  
International Phone: 61-3-9350 7277  
International Facsimile: 61-3-9350 7344

Internet: [Info@mcconnellseats.com.au](mailto:Info@mcconnellseats.com.au)  
[www.mcconnellseats.com.au](http://www.mcconnellseats.com.au)  
SYDNEY OFFICE: 0412 351 184

[mcconnellseats.com.au](http://mcconnellseats.com.au)

**McConnell**  
A reputation built on safety & comfort

Note: All drawings and measurements should be used as a guide only.



## School Safe ADR 68

Safety and comfort for school and charter operations.

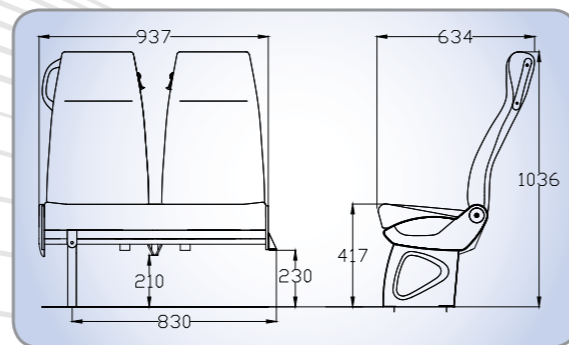
### Features

- Non-reclining seat suitable for school contract, charter or day tour operations
- High density moulded cushion and squab foam for superior comfort
- Retractable lap sash seat belts

### Options

- Slim-line PVC hand grip

School Safe Specifications	
Minimum seat centres	695mm
Seat weight	24kg
Seat height	1036mm
Standard width	935mm



## Educator 2/3

The Educator 2/3 is designed to allow quick change seating for three small school children or two adults for regular school bus or charter.

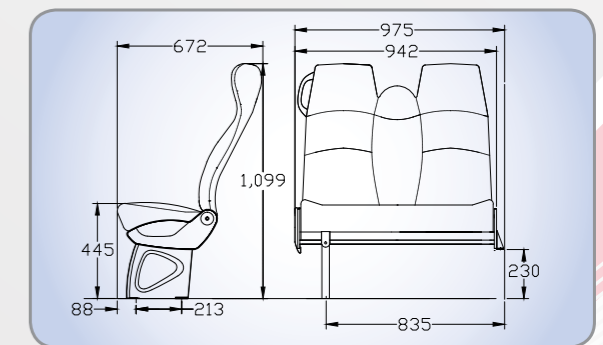
### Features

- Fixed squab
- High density moulded cushion and squab foam
- Seat belts easily removed

### Options

- 3 point child harness
- Slim-line PVC hand grip

Educator 2/3 Specifications	
Minimum seat centres	710mm
Seat width	942mm
Seat weight	27kg
Seat height	1099mm



## Commuter

Versatile seating for city, school, airport services and charter operations.

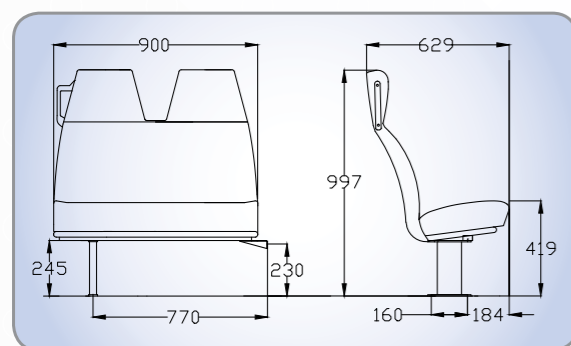
### Features

- Modern contoured profile with lumbar support provides the best in passenger comfort
- Individual heads with a single back for '3 for 2' seating needs
- Steel construction with unique channel-pedestal mounting to vary leg positions
- Minimum backrest thickness and low profile headrest for maximum passenger space and vision
- Extensive range of covering for low maintenance costs
- Combination of seat places to suit any interior layout

### Options

- Folding armrest
- Fixed armrest
- PVC or cast aluminium handgrips
- Stainless steel pedestal legs
- Stanchion fittings
- Flip-up cushions for wheel chair access and standees

Commuter Specifications	
Minimum seat centres	700mm
Seat width	900mm
Seat weight	22kg
Seat height	997mm



## Urban

Standard seating for school and city services.

### Features

- One-piece back accommodates "3 for 2" seating
- Steel construction with unique channel-pedestal mounting to vary leg positioning
- Minimum backrest thickness for maximum passenger space and comfort
- Polyurethane top cap includes aisle hand grip that conforms to protective padding regulations
- Seat backs have integrated laminate panel for ease in cleaning and maintenance
- Extensive range of seat cover fabrics and designs
- Easily replaced seat covers for low maintenance costs
- Combinations of seat places to suit any interior layout

### Options

- Hip restraint
- Stanchion fitting
- Stainless steel pedestal legs
- Flip-up cushion for wheel chair access and standees
- Stainless steel frames

Urban Specifications	
Minimum seat centres	690mm
Seat width	440mm 680mm 840mm 900mm
Seat weight	22kg
Seat height	942mm

