

# Educator 2/3

INTERNATIONAL  
PATENT APPLICATION  
NO. PCT/AU2014/050222  
AUST INNOVATION  
NO. 2015100568  
AUST DESIGN NO. AU352779



*For optimum  
seating capacity*



McConnell is a wholly  
owned subsidiary of  
APM Group of Companies

[mcconnellseats.com.au](http://mcconnellseats.com.au)

**McConnell**

*A reputation built on safety & comfort*



# Educator 2/3

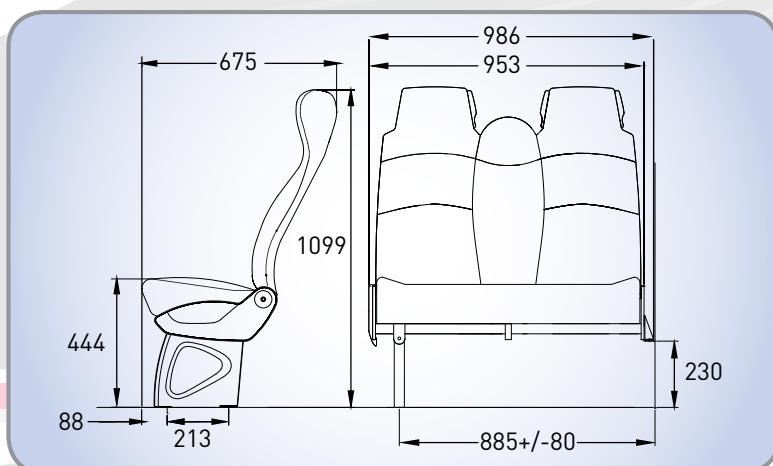
*The Educator 2/3 is designed to allow seating for three small school children or two adults for regular school bus or charter.*

## Features

- Fixed squab
- High density moulded cushion and squab foam for superior comfort
- All retractable lap sash seat belts

## Options

- Adjustable shoulder height to centre belt
- Aisle side handgrip



## Educator 2/3 Specifications

Minimum seat centres	700mm
Seat width	953mm
Seat weight	29kg
Seat height	1099mm